

PROPRIETARY AND CONFIDENTIAL
 THE INFORMATION CONTAINED IN THIS DRAWING IS THE SOLE PROPERTY OF <INSERT COMPANY NAME HERE>. ANY REPRODUCTION IN PART OR AS A WHOLE WITHOUT THE WRITTEN PERMISSION OF <INSERT COMPANY NAME HERE> IS PROHIBITED.

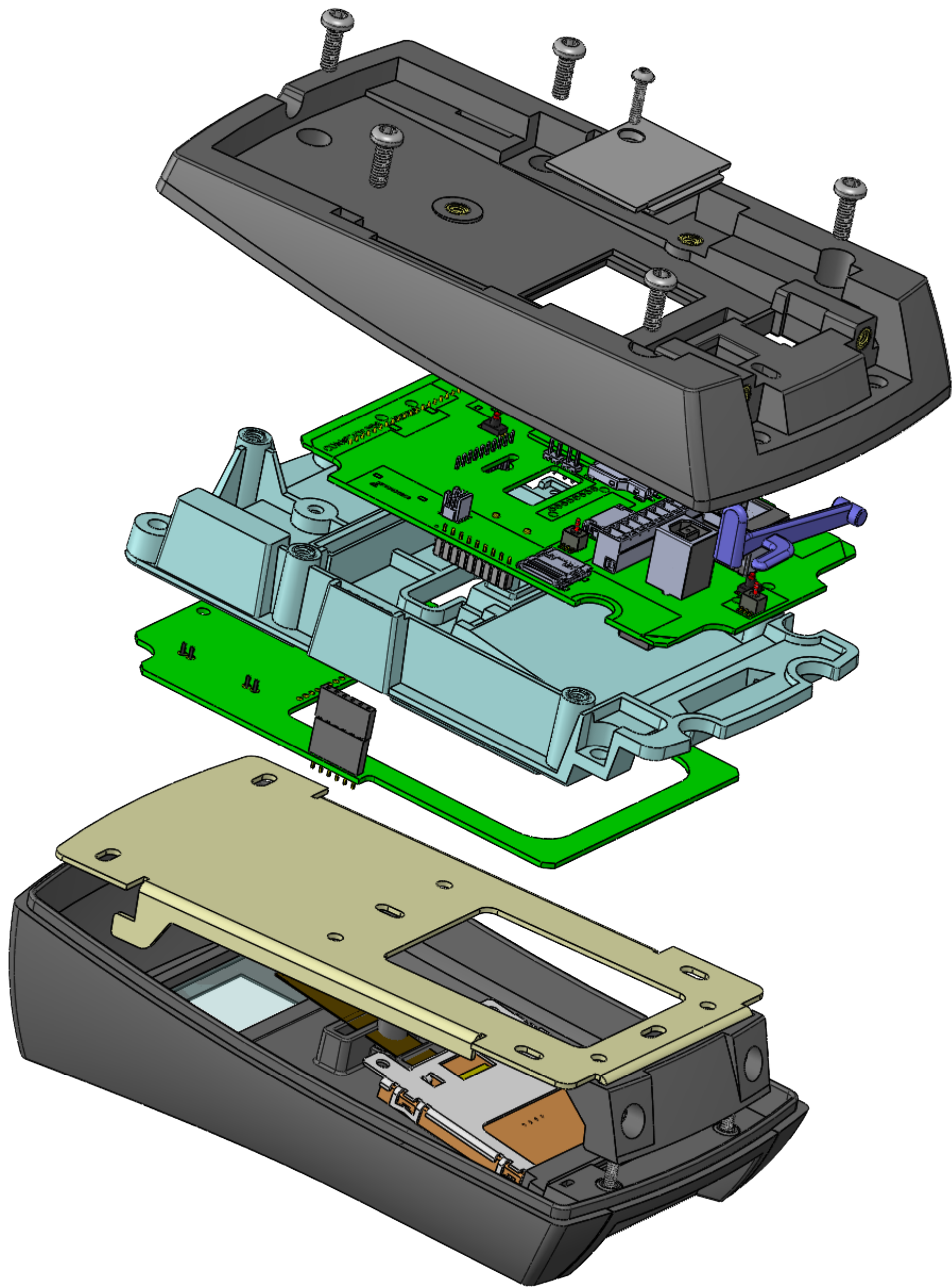
		UNLESS OTHERWISE SPECIFIED:		NAME	DATE	IDFactors	
		DIMENSIONS ARE IN INCHES		DRAWN	JBM	3/23/23	TITLE:
		TOLERANCES:		CHECKED			Assy, 2F Reader
		FRACTIONAL ±		ENG APPR.			SIZE DWG. NO.
		ANGULAR: MACH ± BEND ±		MFG APPR.			REV
		TWO PLACE DECIMAL ±		Q.A.			550A
		THREE PLACE DECIMAL ±		COMMENTS:			SCALE: 1:1.5WEIGHT:
		INTERPRET GEOMETRIC TOLERANCING PER:					SHEET 1 OF 2
		MATERIAL					
		FINISH					
NEXT ASSY	USED ON	APPLICATION		DO NOT SCALE DRAWING			

4

3

2

1



PROPRIETARY AND CONFIDENTIAL
 THE INFORMATION CONTAINED IN THIS DRAWING IS THE SOLE PROPERTY OF <INSERT COMPANY NAME HERE>. ANY REPRODUCTION IN PART OR AS A WHOLE WITHOUT THE WRITTEN PERMISSION OF <INSERT COMPANY NAME HERE> IS PROHIBITED.

		UNLESS OTHERWISE SPECIFIED:		NAME	DATE	IDFactors	
		DIMENSIONS ARE IN INCHES		DRAWN	JBM	3/23/23	TITLE:
		TOLERANCES:		CHECKED			Assy, 2F Reader, Exploded, (New Gen)
		FRACTIONAL ±		ENG APPR.			SIZE DWG. NO.
		ANGULAR: MACH ± BEND ±		MFG APPR.			REV
		TWO PLACE DECIMAL ±		Q.A.			550A
		THREE PLACE DECIMAL ±		COMMENTS:			SCALE: 1:1 WEIGHT: SHEET 2 OF 2
		INTERPRET GEOMETRIC TOLERANCING PER:					
		MATERIAL					
		FINISH					
NEXT ASSY	USED ON	APPLICATION					
		DO NOT SCALE DRAWING					